



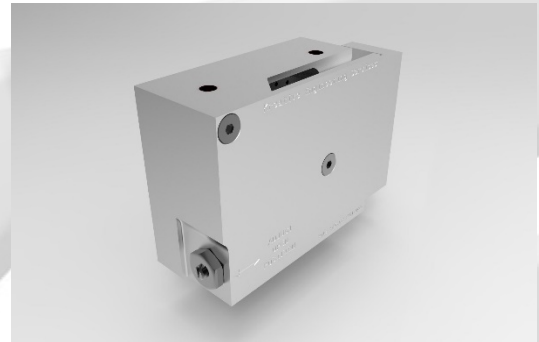
PRODUCT DATA

KES-CSI-881-0001



DESCRIPTION

New damped rotary flap mechanism.
 Compact rotary flap mechanism, with integrated Push-Pull latch in closed position and damped opening.
 Two adjustable locks for open and closed position to adjust panels alignment.
 Can be used on different sized flap with additional shims.

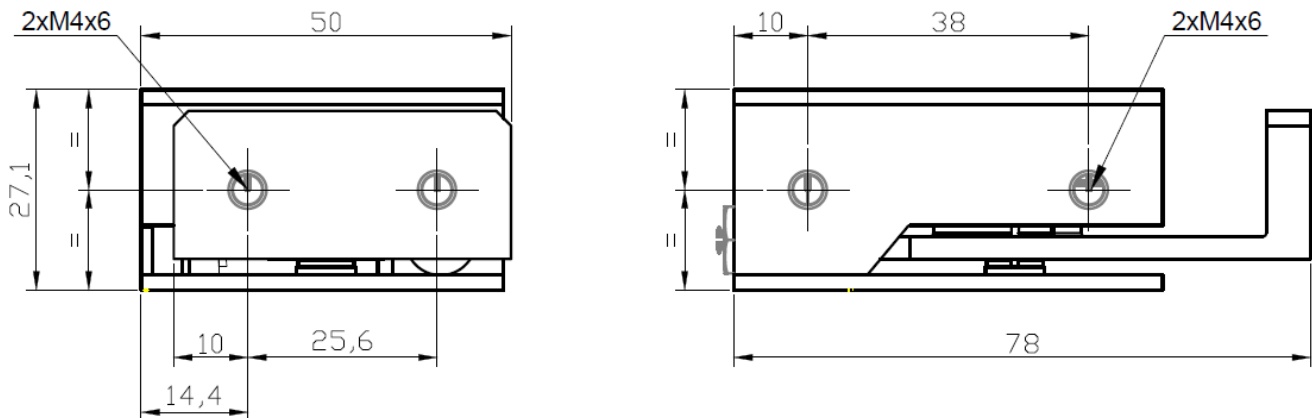


PROPERTIES

GENERAL	WEIGHT	0.44 lbs [0.2 Kg]
	DIMENSION	78x50x27.1mm
MECHANICAL	MATERIAL	ALUMINIUM
	INSTALLATION	SCREW M4
	ALLOWABLE (IN CLOSED POSITION)	IN PROGRESS



DIMENSION



CONTACT US ON info@kreative-engineering.com FOR QUOTE REQUEST OR FURTHER INFORMATION.

KREATIVE ENGINEERING SERVICES - FRANCE

This document and its contents are the exclusive property of Kreative Engineering Services.

It cannot be reproduced or communicated to any third party without the prior written authorization of Kreative Engineering Services.

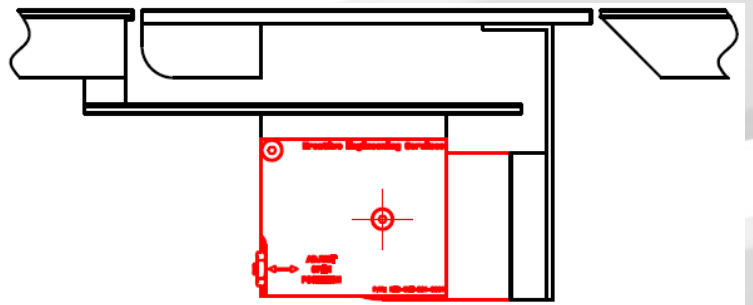
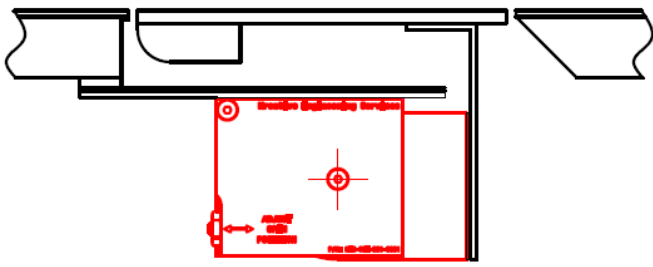
REVISION DATE
11/06/15



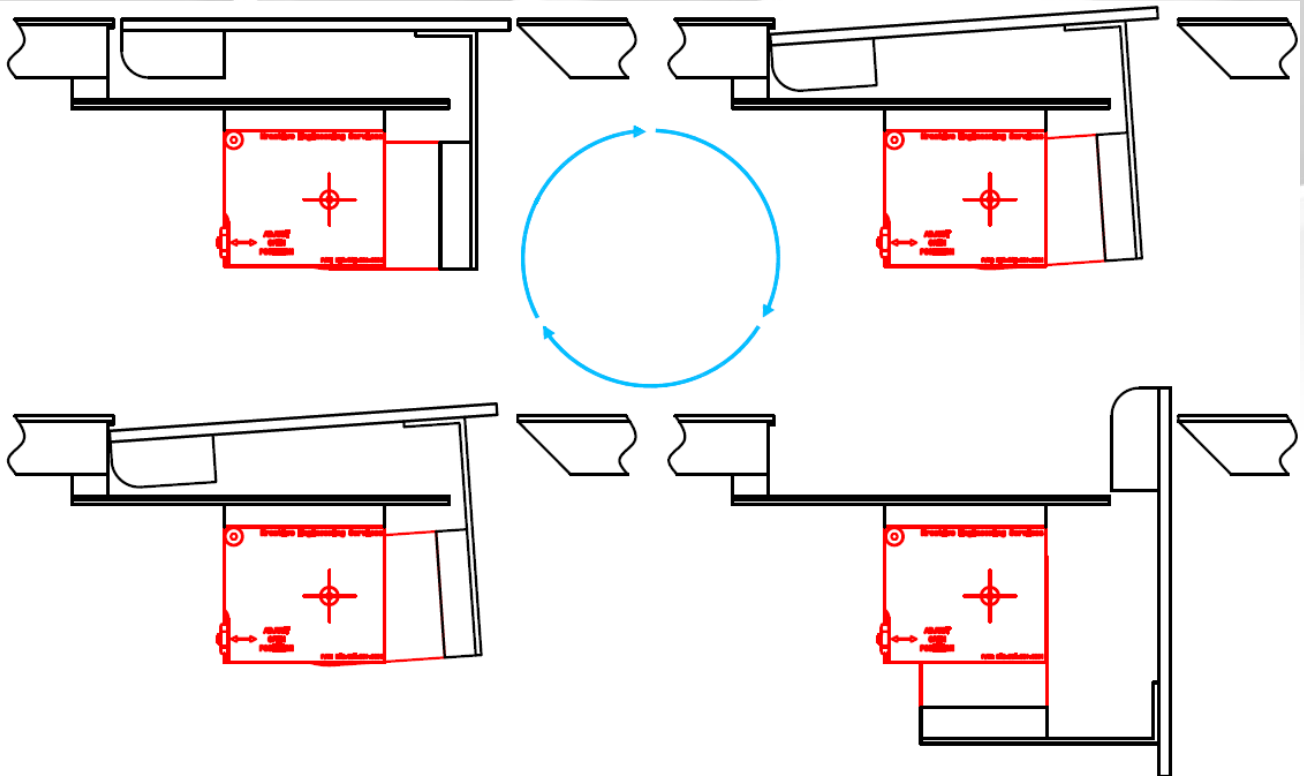
INSTALLATION EXAMPLE

FLAP WIDTH 121mm

FLAP WIDTH 146mm



KINEMATIC



CONTACT US ON info@kreative-engineering.com FOR QUOTE REQUEST OR FURTHER INFORMATION.

KREATIVE ENGINEERING SERVICES - FRANCE

This document and its contents are the exclusive property of Kreative Engineering Services.

It cannot be reproduced or communicated to any third party without the prior written authorization of Kreative Engineering Services.

REVISION DATE
11/06/15